

FOOTPRINT, ECODRUM MODEL 720

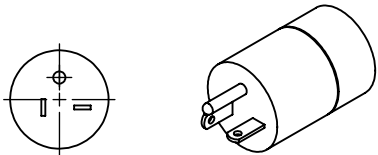
VOLTAGE: 240 V

AMPERAGE: 20 A

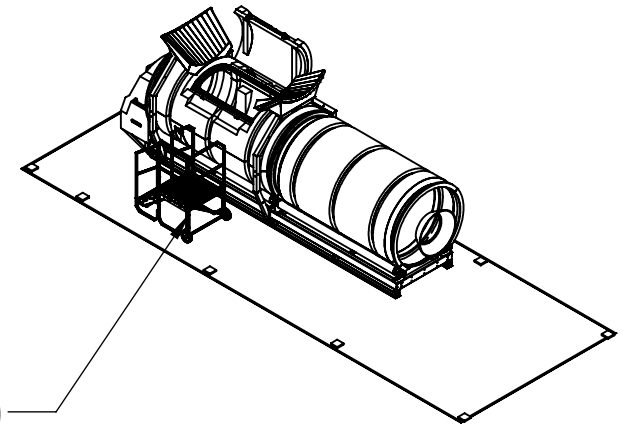
WEIGHT: 4,400 LBS

ALL DIMENSIONS FOR REFERENCE ONLY

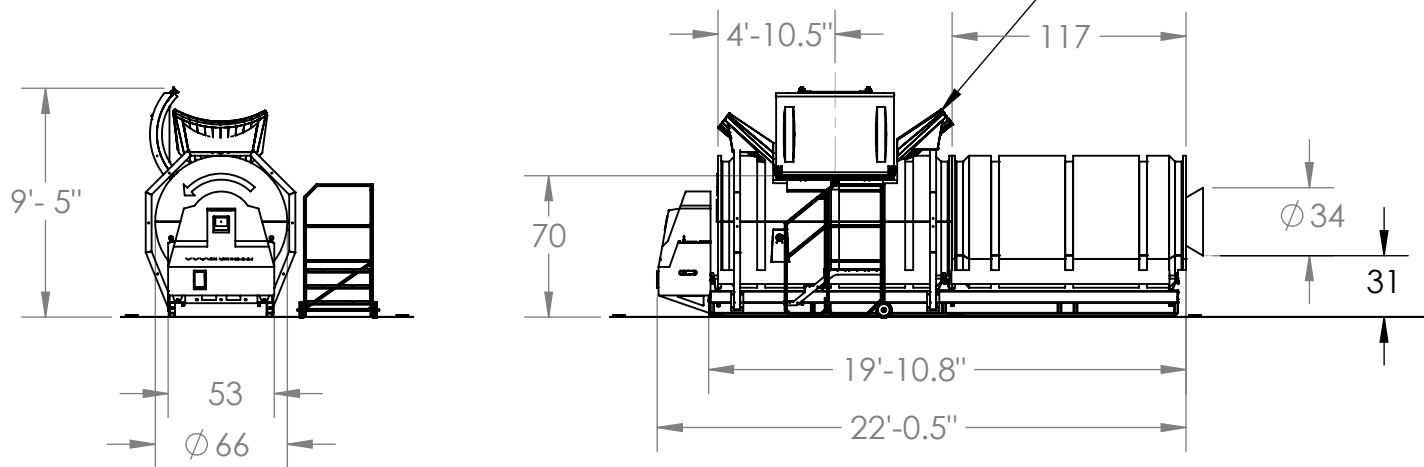
240V 20A PLUG
(NEMA 6-20)



PLATFORM STAIRS
PN 17710
OPTION SHOWN (1X)

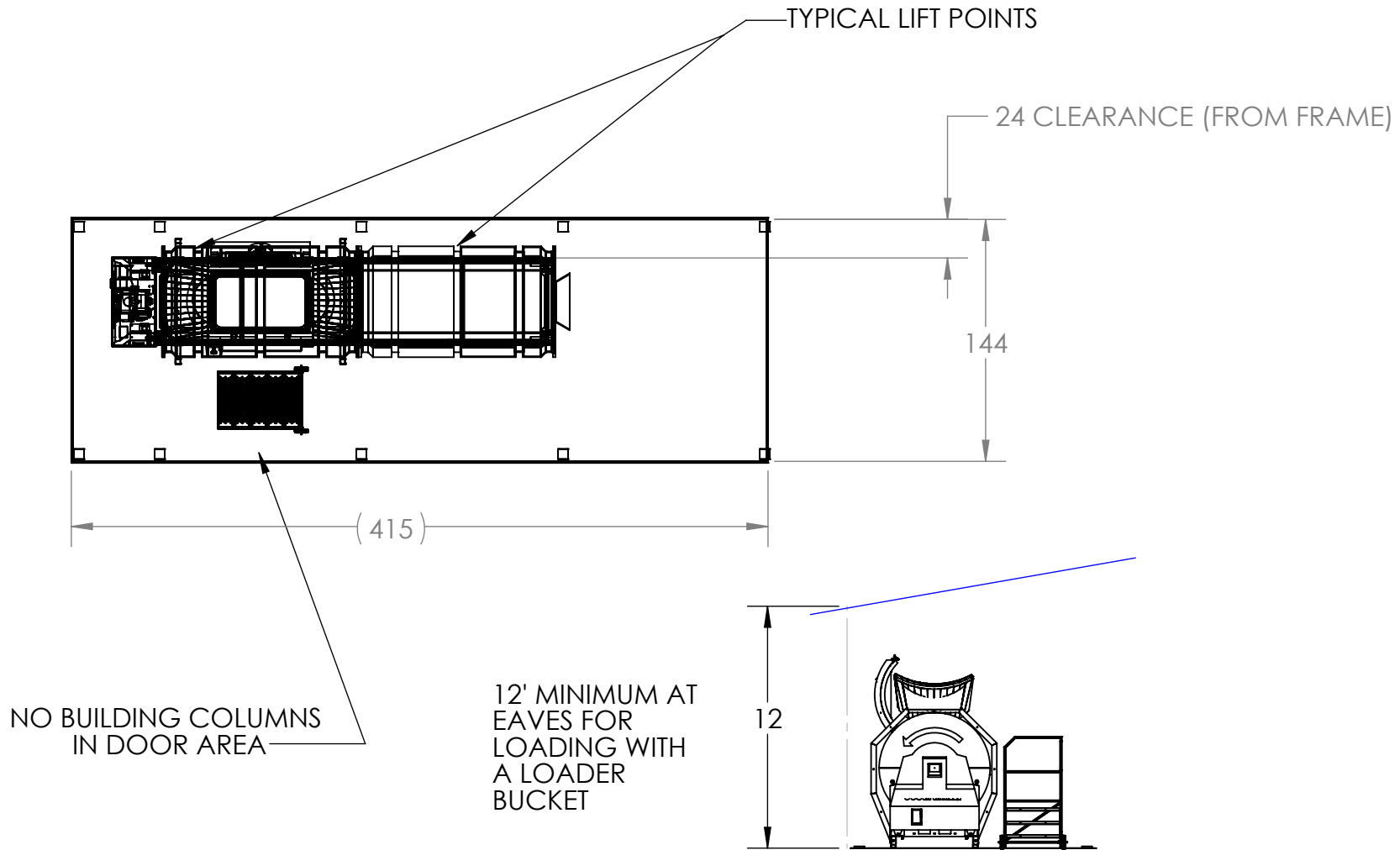



LOAD ASSIST
PN 17900
OPTION SHOWN (1X)



-	-	-	-	-	MATERIAL	TITLE: FOOTPRINT, 720 W STAIRS	NEXT ASSY:
-	-	-	-	-	FINISH	LOAD ASSIST AND CLEARANCE	FINISH WT. LB
					TOLERANCES: UNLESS OTHERWISE SPECIFIED FRAC. ±1/32 X.X ±0.05 X.XX ±0.01 X.XXX ±0.002 X.XXXX ±0.0005 ANGLES ±1° DIMENSIONS ARE IN INCHES	DRAWING NO.	SCALE: 1:128
A	ISSUED	0000	JW	FEB 22, 2018			
ISSUE	REVISION	E.C.N.	CHG BY	CHK BY	DATE		

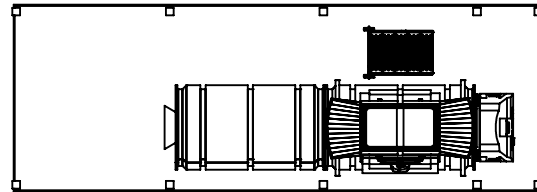
CONCRETE: 4" THICK MINIMUM
WITH 10MM DIAMETER REBAR @ 18" CENTERS
(CONSULT LOCAL CODES)



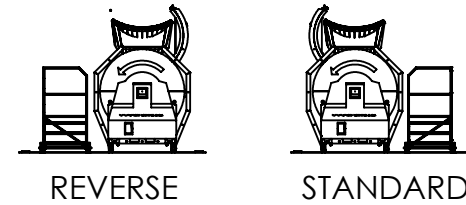
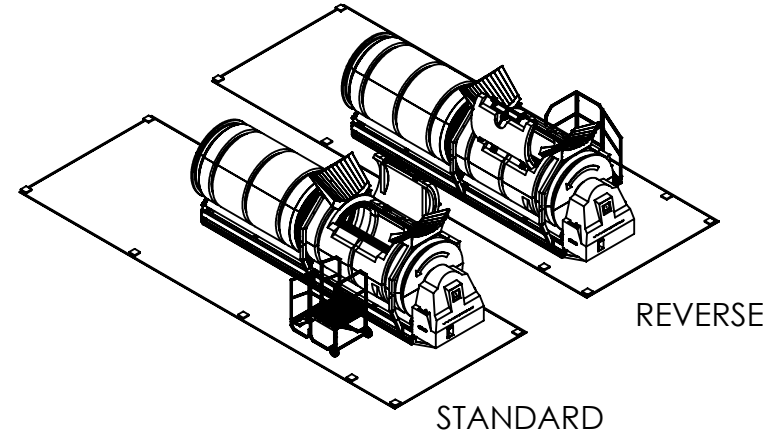
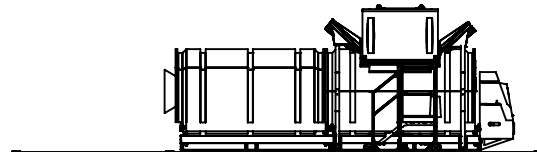
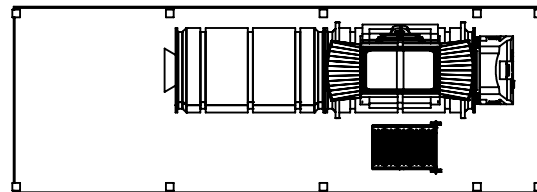
-	-	-	-	-	MATERIAL	MS	TITLE:	FOOTPRINT, 720 W STAIRS	NEXT ASSY:
-	-	-	-	-	FINISH			LOAD ASSIST AND CLEARANCE	FINISH. WT.
					TOLERANCES:		DRAWING NO.		LB
					UNLESS OTHERWISE SPECIFIED			SCALE: 1:256	SALES PT#
					FRAC.	±1/32			
					X.X	±0.05			
					X.XX	±0.01			
					X.XXX	±0.002			
					X.XXXX	±0.0005			
					ANGLES	±1°			
					DIMENSIONS ARE IN INCHES				
A	ISSUED	0000	JW	FEB 22, 2018					
ISSUE	REVISION	E.C.N.	CHG BY	CHK BY					


STANDARD LOADING PN 40020
 REVERSE LOADING PN 40025

STANDARD



REVERSE



-	-	-	-	-	MATERIAL	MS	TITLE:	FOOTPRINT, 720 W STAIRS LOAD ASSIST AND CLEARANCE	NEXT ASSY:
-	-	-	-	-	FINISH		DRAWING NO.		FINISH. WT. LB
					TOLERANCES:				SCALE: 1:256
					UNLESS OTHERWISE SPECIFIED				SALES PT#
A	ISSUED	0000	JW	FEB 22, 2018	FRAC.	±1/32			
					X.X	±0.05			
					X.XX	±0.01			
					X.XXX	±0.002			
					X.XXXX	±0.0005			
ISSUE	REVISION	E.C.N.	CHG BY	CHK BY	DATE	ANGLES			
						±1°			
					DIMENSIONS ARE IN INCHES				