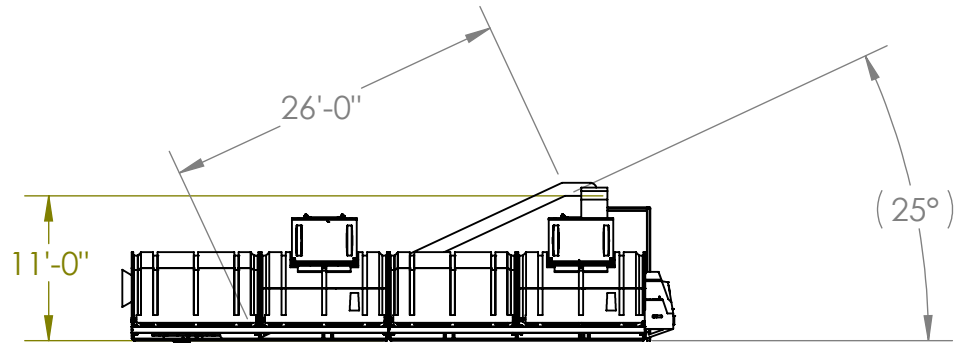
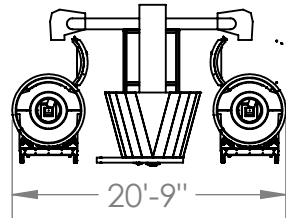



STAGE 2



-	-	-	-	-	MATERIAL	MS	TITLE:	NEXT ASSY:
-	-	-	-	-	FINISH		DRAWING NO.	FINISH. WT. LB
					TOLERANCES:		R2 ASSY, COMPOUND CONCEPT	SCALE: 1:384
					UNLESS OTHERWISE SPECIFIED			SALES PT#
A	ISSUED	0000	JW	FEB 22, 2018	FRAC. ±1/32			
ISSUE	REVISION	E.C.N.	CHG BY	CHK BY	DATE	ANGLES ±1°		