

# FOOTPRINT, ECODRUM MODEL 730

VOLTAGE: 240 V  
 AMPERAGE: 20 A  
 WEIGHT: 6,100 LBS  
 ALL DIMENSIONS FOR REFERENCE ONLY

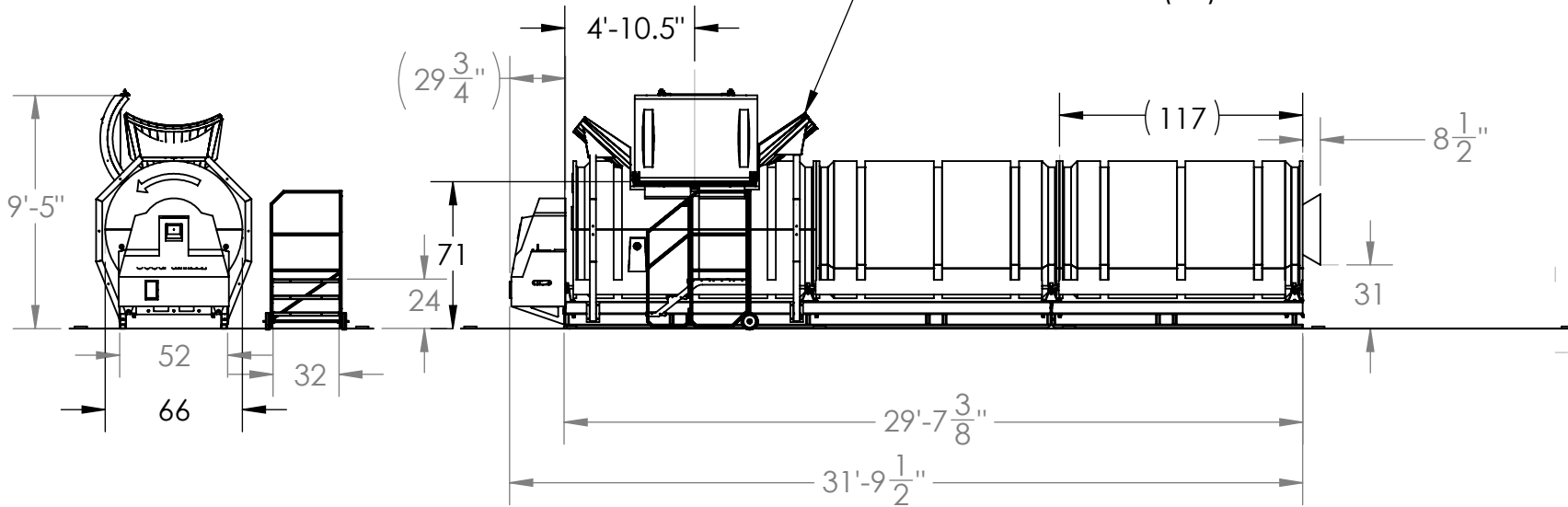
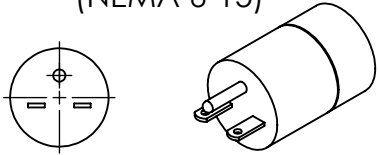
DOOR OPENING  
 58" X 36" TYP 1X

PLATFORM STAIRS  
 PN 17710  
 OPTION SHOWN (2X)

LOAD ASSIST  
 PN 17900  
 OPTION SHOWN (1X)

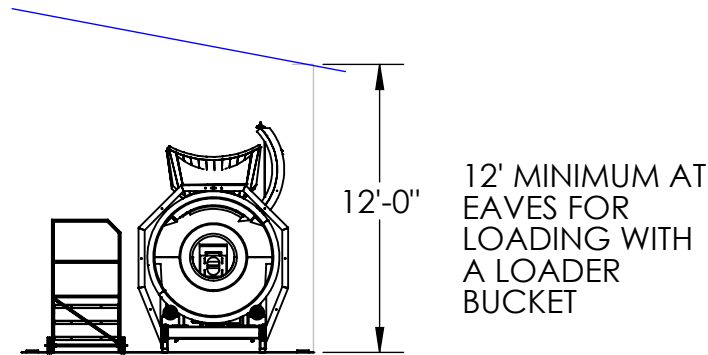
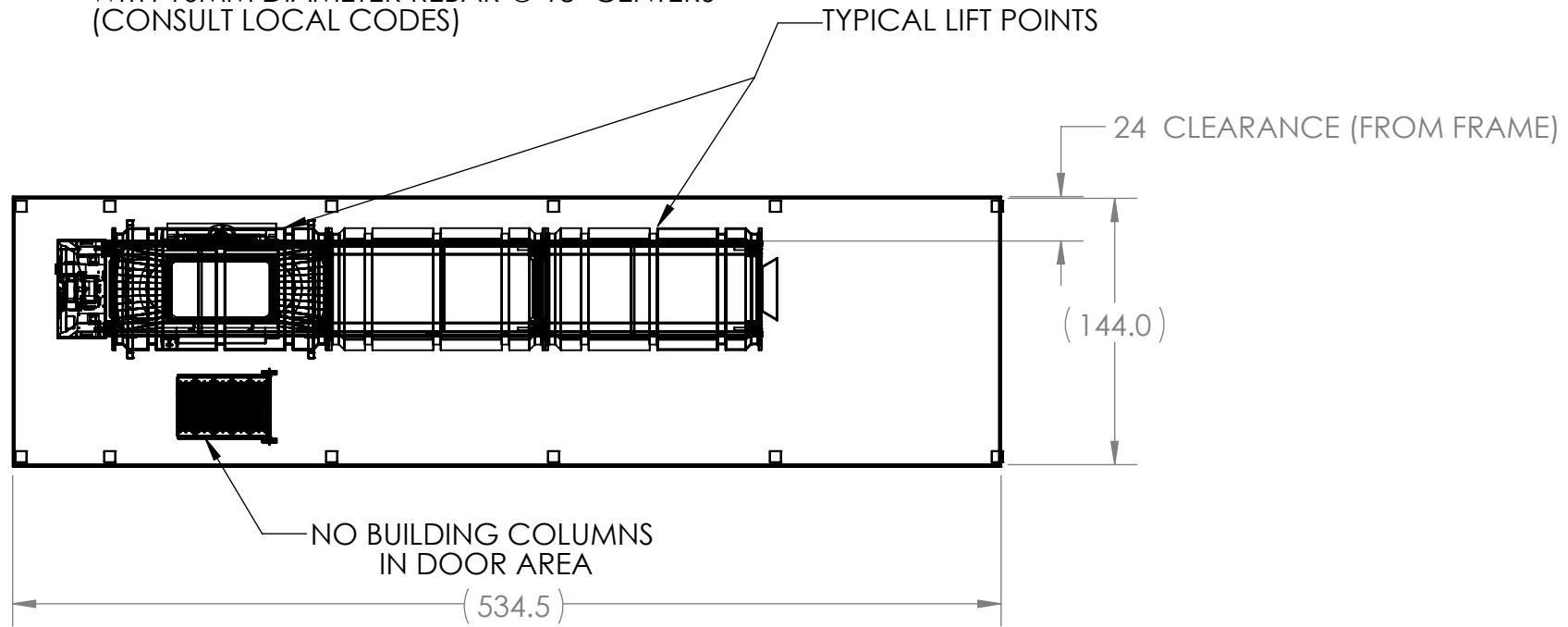
DISCHARGE

240V 20A PLUG  
 (NEMA 6-15)



-	-	-	-	-	MATERIAL	TITLE: FOOTPRINT, 730 W STAIRS	NEXT ASSY:
-	-	-	-	-	FINISH	LOAD ASSIST AND CLEARANCE	FINISH. WT. LB
						TOLERANCES:	SCALE: 1:128
						UNLESS OTHERWISE SPECIFIED	SALES PT#
						FRAC. ±1/32	
						X.X ±0.05	
						X.XX ±0.01	
						X.XXX ±0.002	
						X.XXXX ±0.0005	
A	ISSUED	0000	JW	FEB 22, 2018	ANGLES ±1°		
ISSUE	REVISION	E.C.N.	CHG BY	CHK BY	DATE		

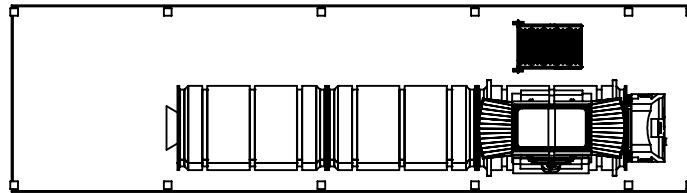
CONCRETE: 4" THICK MINIMUM  
WITH 10MM DIAMETER REBAR @ 18" CENTERS  
(CONSULT LOCAL CODES)



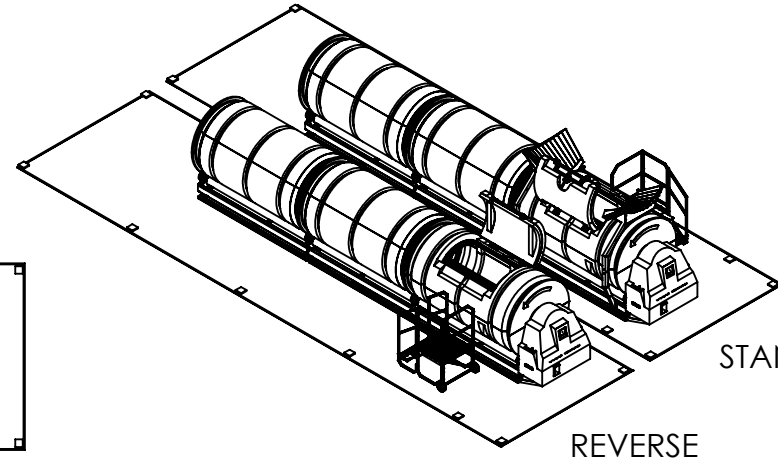
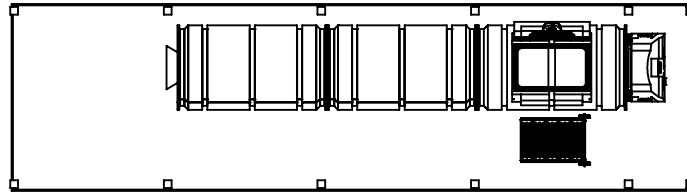
-	-	-	-	-	MATERIAL	MS	TITLE:	FOOTPRINT, 730 W STAIRS	NEXT ASSY:
-	-	-	-	-	FINISH			LOAD ASSIST AND CLEARANCE	FINISH. WT.
					TOLERANCES:		DRAWING NO.		SCALE: 1:256
					UNLESS OTHERWISE SPECIFIED				SALES PT#
A	ISSUED	0000	JW	FEB 22, 2018	FRAC.	±1/32			
					X.X	±0.05			
					X.XX	±0.01			
					X.XXX	±0.002			
					X.XXXX	±0.0005			
ISSUE	REVISION	E.C.N.	CHG BY	CHK BY	DATE	ANGLES	±1°		
						DIMENSIONS ARE IN INCHES			

STANDARD LOADING PN 40030  
 REVERSE LOADING PN 40035

STANDARD

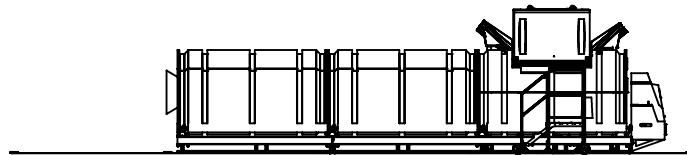


REVERSE

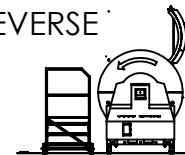


STANDARD

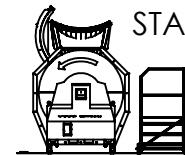
REVERSE



REVERSE



STANDARD



-	-	-	-	-	-
-	-	-	-	-	-
A	ISSUED	0000	JW		FEB 22, 2018
ISSUE	REVISION	E.C.N.	CHG BY	CHK BY	DATE

MATERIAL	MS
FINISH	
TOLERANCES:	
UNLESS OTHERWISE SPECIFIED	
FRAC.	±1/32
X.X	±0.05
X.XX	±0.01
X.XXX	±0.002
X.XXXX	±0.0005
ANGLES	±1°
DIMENSIONS ARE IN INCHES	

TITLE: FOOTPRINT, 730 W STAIRS  
 LOAD ASSIST AND CLEARANCE  
 DRAWING NO.

NEXT ASSY:	
FINISH. WT.	LB
SCALE:	1:256
SALES PT#	

