

# FOOTPRINT, ECODRUM MODEL 740

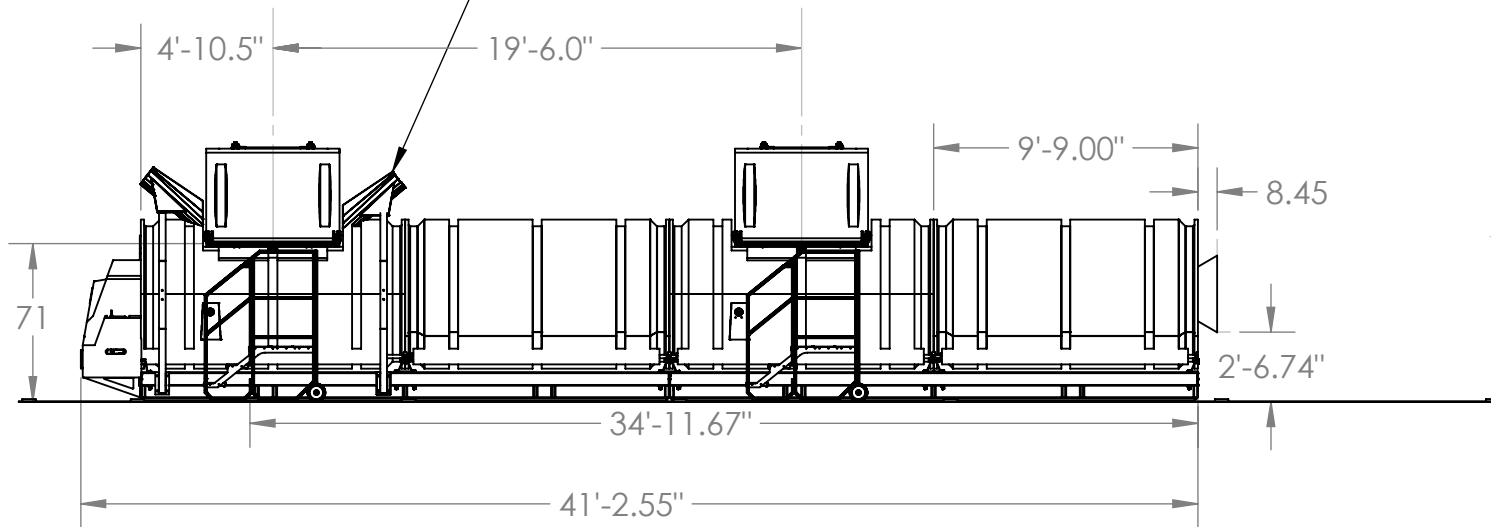
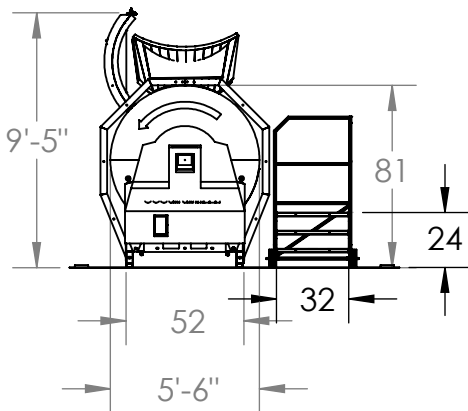
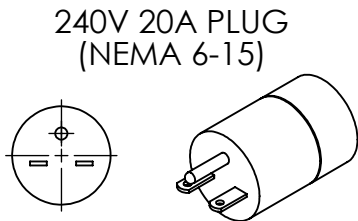
VOLTAGE: 240 V  
 AMPERAGE: 20 A  
 WEIGHT: 7,300 LBS  
 ALL DIMENSIONS FOR REFERENCE ONLY

DOOR OPENING  
 58" X 36" TYP 2X

PLATFORM STAIRS  
 PN 17710  
 OPTION SHOWN (2X)

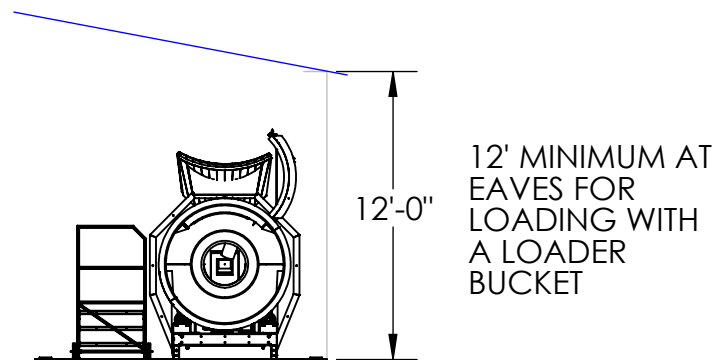
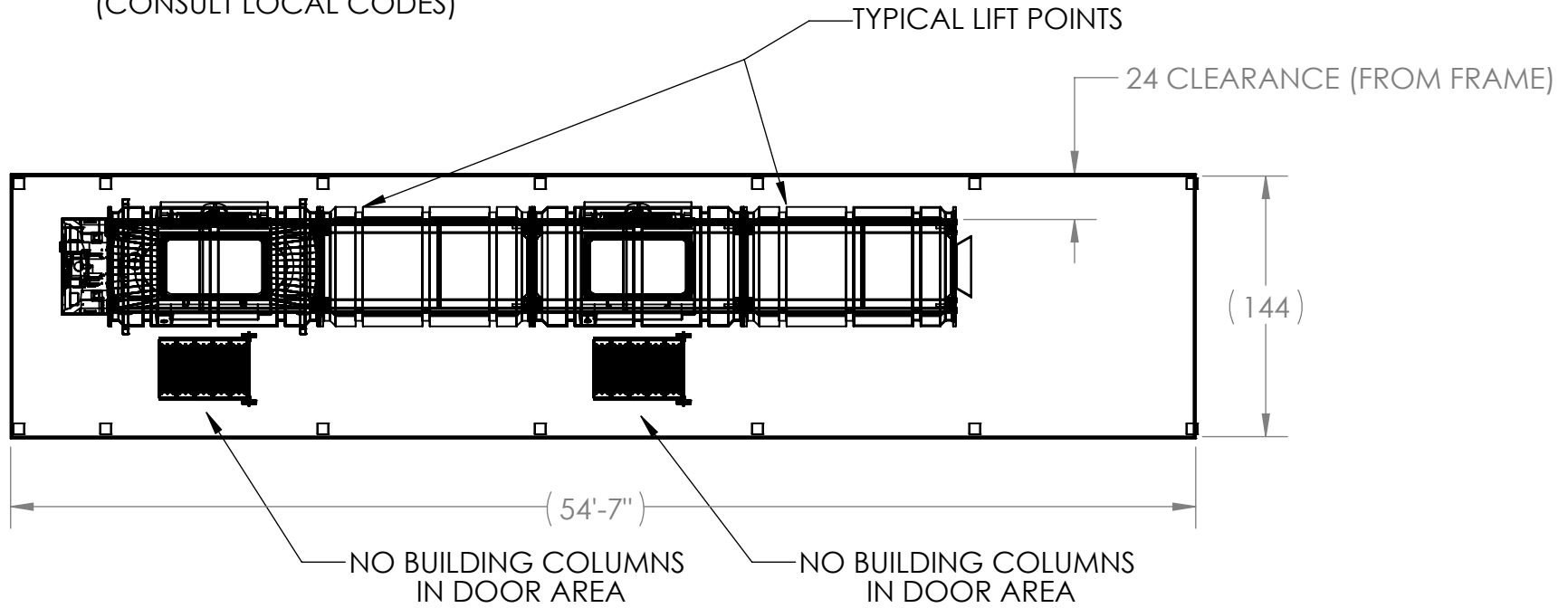
DISCHARGE

LOAD ASSIST  
 PN 17900  
 OPTION SHOWN (1X)



-	-	-	-	-	MATERIAL	TITLE: FOOTPRINT, 740 W STAIRS	NEXT ASSY:
-	-	-	-	-	FINISH	LOAD ASSIST AND CLEARANCE	FINISH. WT. LB
					TOLERANCES: UNLESS OTHERWISE SPECIFIED FRAC. ±1/32 X.X ±0.05 X.XX ±0.01 X.XXX ±0.002 X.XXXX ±0.0005 ANGLES ±1° DIMENSIONS ARE IN INCHES	DRAWING NO.	SCALE: 1:128
A	ISSUED	0000	JW	FEB 22, 2018			SALES PT#
ISSUE	REVISION	E.C.N.	CHG BY	CHK BY	DATE		

CONCRETE: 4" THICK MINIMUM  
WITH 10MM DIAMETER REBAR @ 18" CENTERS  
(CONSULT LOCAL CODES)



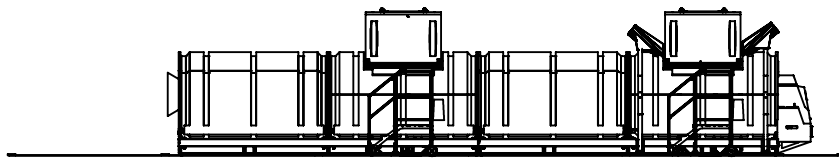
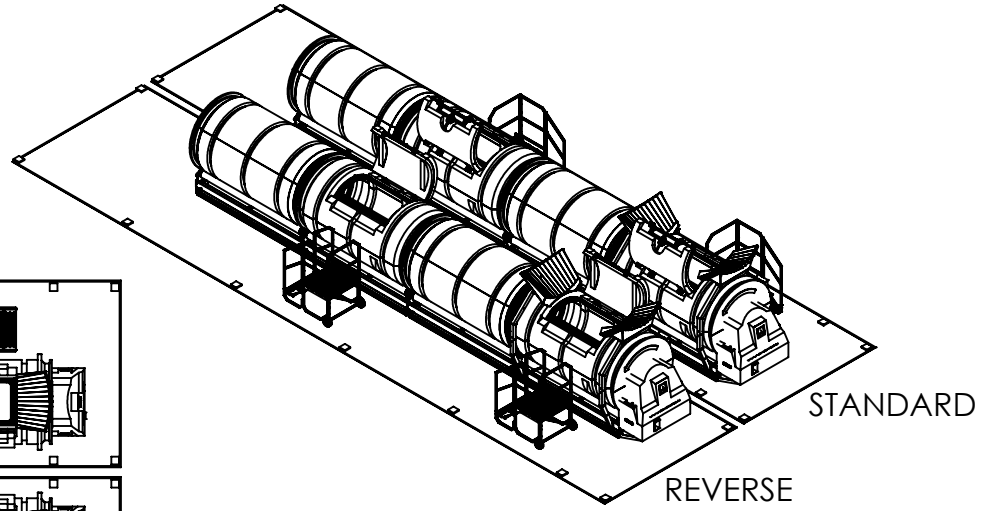
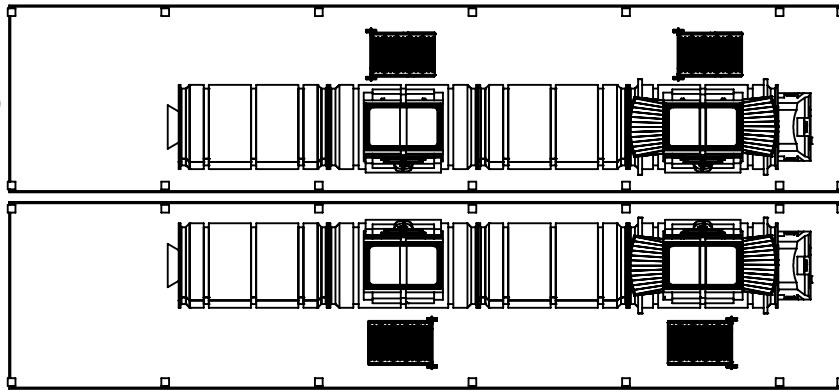
12' MINIMUM AT  
EAVES FOR  
LOADING WITH  
A LOADER  
BUCKET

-	-	-	-	-	MATERIAL	MS	TITLE:	FOOTPRINT, 740 W STAIRS	NEXT ASSY:
-	-	-	-	-	FINISH			LOAD ASSIST AND CLEARANCE	FINISH. WT.
					TOLERANCES:		DRAWING NO.		SCALE: 1:256
					UNLESS OTHERWISE SPECIFIED				SALES PT#
A	ISSUED	0000	JW	FEB 22, 2018	FRAC.	±1/32			
					X.X	±0.05			
					X.XX	±0.01			
					X.XXX	±0.002			
ISSUE	REVISION	E.C.N.	CHG BY	CHK BY	DATE	X.XXXX	±0.0005		
						ANGLES	±1°		
						DIMENSIONS ARE IN INCHES			

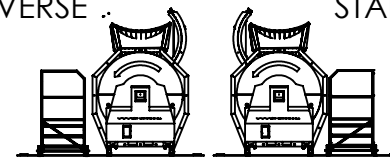
STANDARD LOADING PN 40040  
 REVERSE LOADING PN 40045


STANDARD

REVERSE



REVERSE STANDARD



-	-	-	-	-	MATERIAL	MS	TITLE:	FOOTPRINT, 740 W STAIRS LOAD ASSIST AND CLEARANCE	NEXT ASSY:
-	-	-	-	-	FINISH		DRAWING NO.		FINISH. WT. LB
					TOLERANCES:				SCALE: 1:256
					UNLESS OTHERWISE SPECIFIED				SALES PT#
A	ISSUED	0000	JW	FEB 22, 2018	FRAC.	±1/32			
					X.X	±0.05			
					X.XX	±0.01			
					X.XXX	±0.002			
					X.XXXX	±0.0005			
ISSUE	REVISION	E.C.N.	CHG BY	CHK BY	DATE	ANGLES	±1°		
						DIMENSIONS ARE IN INCHES			