

# FOOTPRINT, ECODRUM MODEL 750

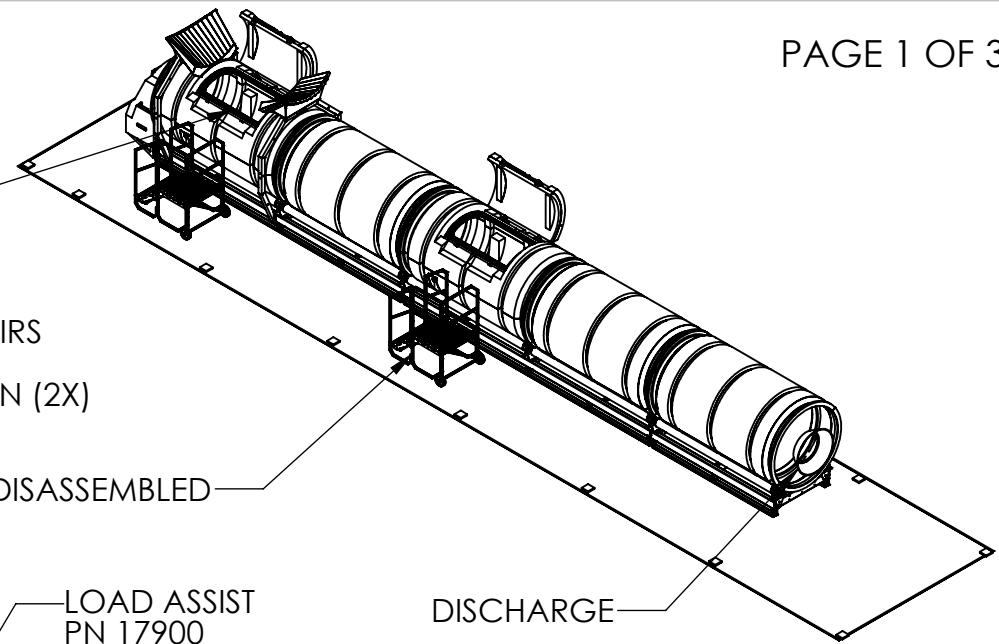
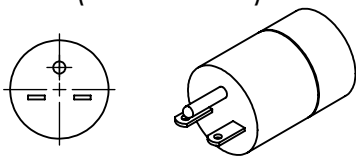
VOLTAGE: 240 V  
 AMPERAGE: 20 A  
 WEIGHT: 9,500 LBS  
 ALL DIMENSIONS FOR REFERENCE ONLY

DOOR OPENING  
 58" X 36" TYP 2X

PLATFORM STAIRS  
 PN 17710  
 OPTION SHOWN (2X)

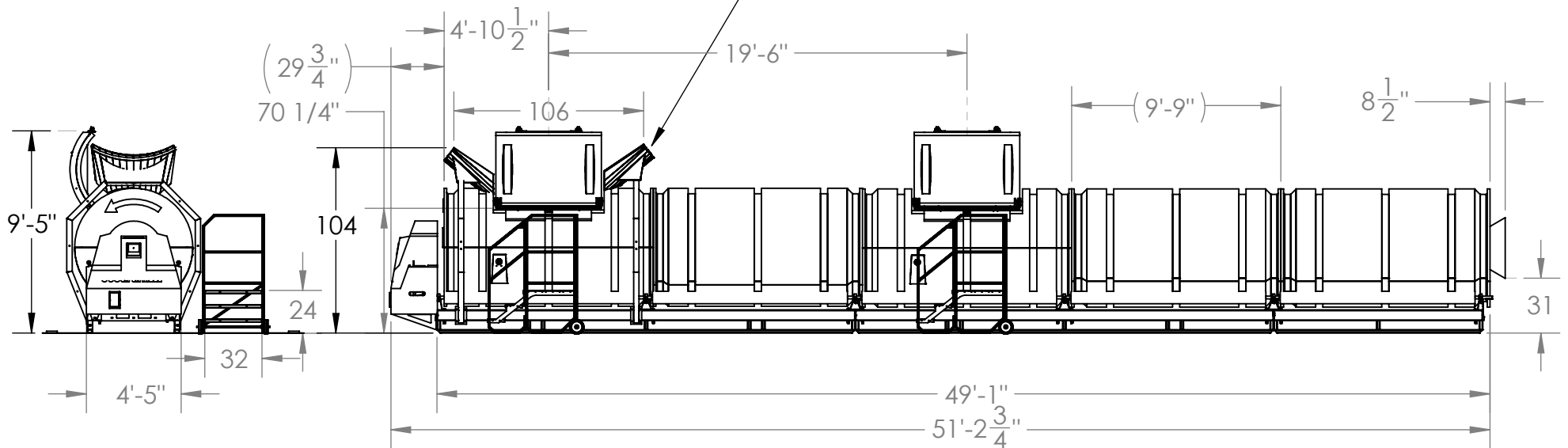
NOTE:  
 STAIRS COME DISASSEMBLED

240V 20A PLUG  
 (NEMA 6-15)



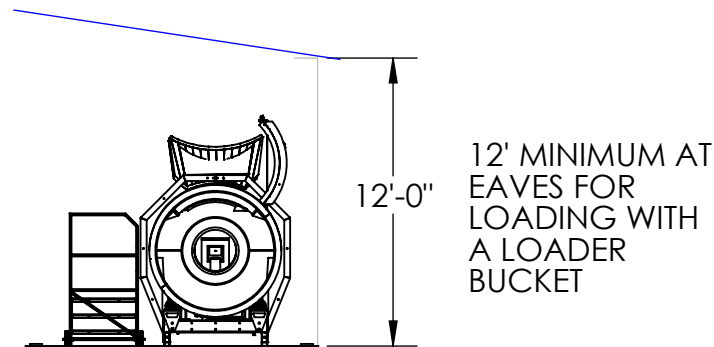
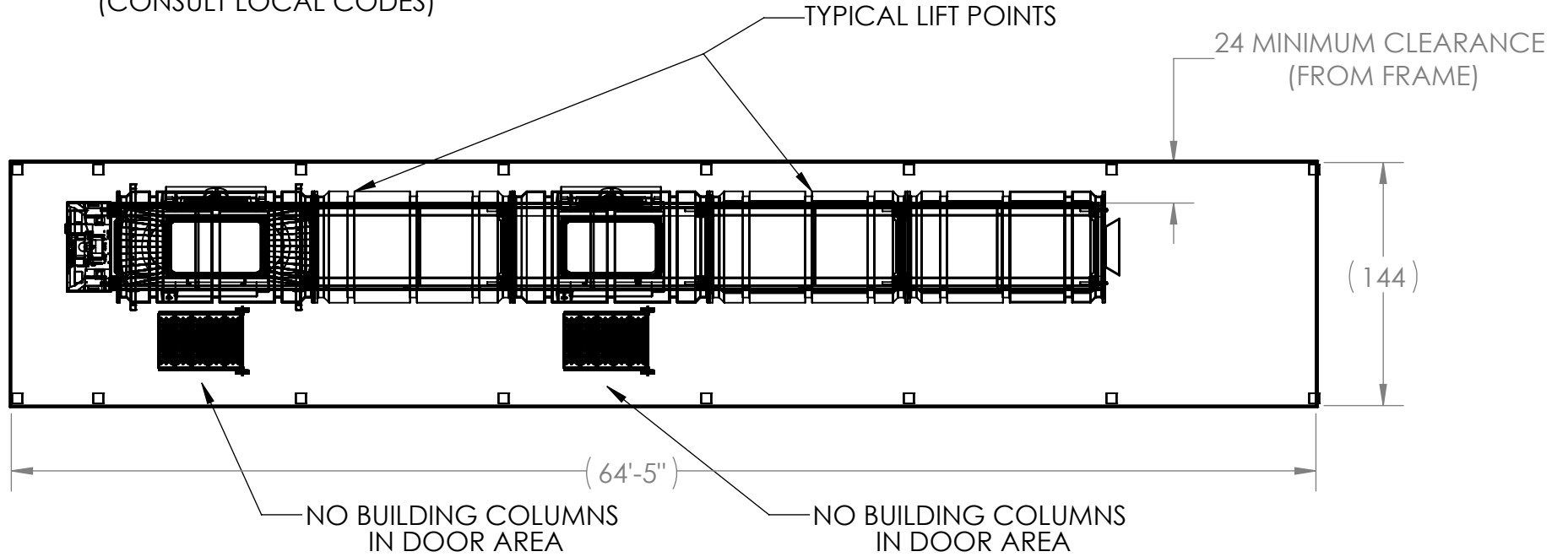
LOAD ASSIST  
 PN 17900  
 OPTION SHOWN (1X)


DISCHARGE



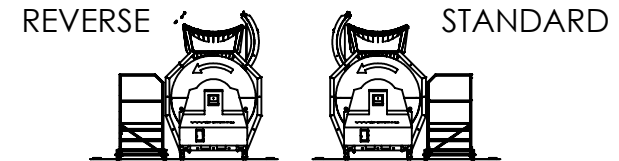
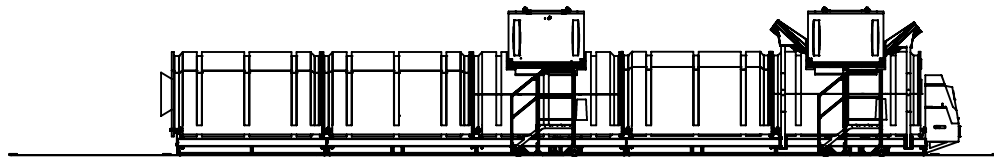
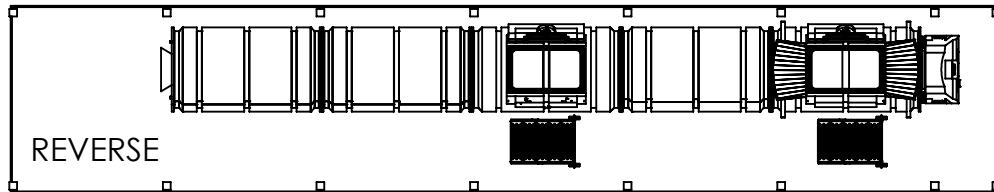
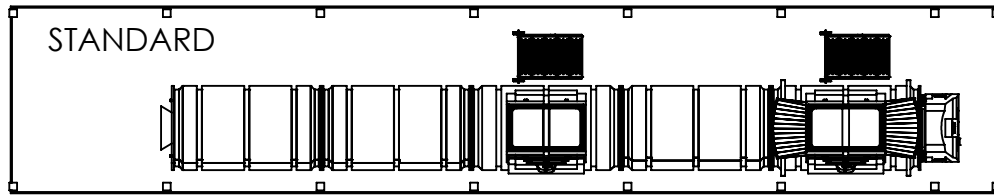
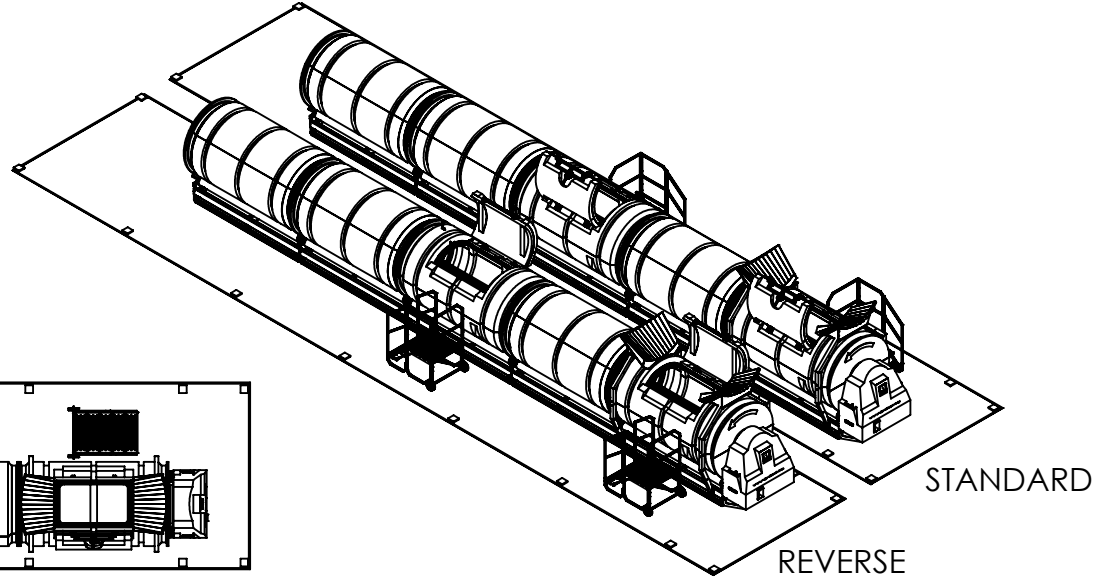
-	-	-	-	-	-	MATERIAL	TITLE: FOOTPRINT, 750 W STAIRS	NEXT ASSY:
-	-	-	-	-	-	FINISH	LOAD ASSIST AND CLEARANCE	FINISH WT. LB
						TOLERANCES:	DRAWING NO.	SCALE: 1:128
						UNLESS OTHERWISE SPECIFIED		SALES PT#
						FRAC. ±1/32		
						X.X ±0.05		
						X.XX ±0.01		
						X.XXX ±0.002		
						X.XXXX ±0.0005		
A	ISSUED	0000	JW		FEB 22, 2018	ANGLES ±1°		
ISSUE	REVISION	E.C.N.	CHG BY	CHK BY	DATE	DIMENSIONS ARE IN INCHES		


CONCRETE: 4" THICK MINIMUM  
WITH 10MM DIAMETER REBAR @ 18" CENTERS  
(CONSULT LOCAL CODES)



-	-	-	-	-	MATERIAL	MS	TITLE:	FOOTPRINT, 750 W STAIRS	NEXT ASSY:
-	-	-	-	-	FINISH			LOAD ASSIST AND CLEARANCE	FINISH. WT.
					TOLERANCES:		DRAWING NO.		LB
					UNLESS OTHERWISE SPECIFIED			SCALE: 1:256	SALES PT#
A	ISSUED	0000	JW	FEB 22, 2018	FRAC.	±1/32			
					X.X	±0.05			
					X.XX	±0.01			
					X.XXX	±0.002			
					X.XXXX	±0.0005			
ISSUE	REVISION	E.C.N.	CHG BY	CHK BY	DATE	ANGLES	±1°		
						DIMENSIONS ARE IN INCHES			

STANDARD LOADING PN 40050  
 REVERSE LOADING PN 40055



-	-	-	-	-	MATERIAL	MS	TITLE:	FOOTPRINT, 750 W STAIRS LOAD ASSIST AND CLEARANCE	NEXT ASSY:	
-	-	-	-	-	FINISH		DRAWING NO.		FINISH. WT. LB	
						TOLERANCES:			SCALE: 1:256	
						UNLESS OTHERWISE SPECIFIED			SALES PT#	
A	ISSUED	0000	JW	FEB 22, 2018	FRAC.	±1/32				
ISSUE	REVISION	E.C.N.	CHG BY	CHK BY	DATE	X.X	±0.05			
						X.XX	±0.01			
						X.XXX	±0.002			
						X.XXXX	±0.0005			
						ANGLES	±1°			
						DIMENSIONS ARE IN INCHES				