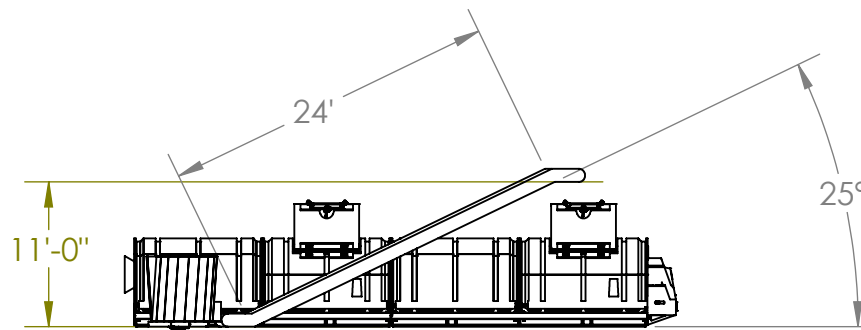
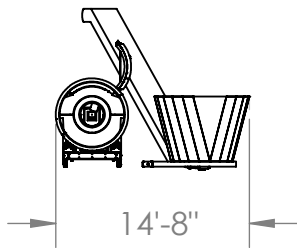



STAGE 1



-	-	-	-	-	MATERIAL	MS	TITLE:	NEXT ASSY:
-	-	-	-	-	FINISH		DRAWING NO.	FINISH. WT. LB
					TOLERANCES:		R1 ASSY, COMPOUND CONCEPT	SCALE: 1:384
					UNLESS OTHERWISE SPECIFIED			SALES PT#
A	ISSUED	0000	JW	FEB 22, 2018	FRAC.	±1/32		
					X.X	±0.05		
ISSUE	REVISION	E.C.N.	CHG BY	CHK BY	DATE	±0.002		
						X.XXX	±0.0005	
						X.XXXX	±1°	
						ANGLES		
						DIMENSIONS ARE IN INCHES		